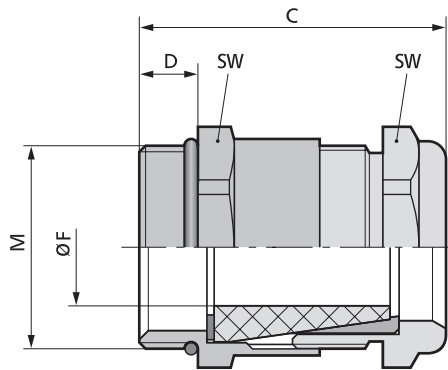


SKINDICHT® SHV-M



SKINDICHT® SHV-M

■ **Benefits**

- Water pressure-tight
- Gentle cable clamping
- Robust
- High strain relief

■ **Application range**

- Water pressure-tight cable gland with special conical sealing element.
- Pumps
- Floater switches

■ **Approvals (Norm references)**



■ **Design**

- Metric connection thread acc. to EN 50262

■ **Note**

- Counter nut to be used SKINDICHT® SM-M
- Suitable accessories SKINDICHT® SHV seal- ing cones

■ **Technical data**

- Caution**
Installation dimensions see Appendix T21
- Material**
Body: Nickel plated brass
Cone Seal: CR
O-ring: NBR
- Degree of protection**
IP 68 - 10 bar
- Range of temperature**
-20°C up to +80°C

Part number	Part designation / size	Clamping range ØF mm	Function thread PG	SW1 / SW2 mm	Overall length C mm	Thread length D mm	Clear opening seal	Pieces / PU
SKINDICHT® SHV-M								
52105270	12 x 1,5	3 - 4,8	7	14 / 14	26.0	5.0	5	50
52105280	16 x 1,5	4,5 - 5,8	9	18 / 17	26.5	5.0	6	50
52105290	16 x 1,5	4,5 - 6,8	9	18 / 17	26.5	5.0	7	50
52105300	20 x 1,5	6 - 6,8	11	22 / 20	31.0	6.0	7	25
52105310	20 x 1,5	6,5 - 8,8	11	22 / 20	31.0	6.0	9	25
52105320	20 x 1,5	6,5 - 8,8	13.5	22 / 22	32.5	6.0	9	25
52105330	20 x 1,5	9 - 10,8	13.5	22 / 22	32.5	6.0	11	25
52105340	20 x 1,5	9 - 10,8	16	24 / 24	34.5	6.0	11	25
52105350	20 x 1,5	9,5 - 12,8	16	24 / 24	34.5	6.0	13	25
52105360	20 x 1,5	13 - 14,8	16	24 / 24	34.5	6.0	15	25
52105370	25 x 1,5	13,5 - 15,8	21	30 / 30	38.5	7.0	16	25
52105380	25 x 1,5	15 - 17,8	21	30 / 30	38.5	7.0	18	25
52105390	25 x 1,5	17,5 - 19,8	21	30 / 30	38.5	7.0	20	25
52105400	32 x 1,5	17,5 - 21,8	29	40 / 40	42.5	8.0	22	10
52105410	32 x 1,5	19 - 23,8	29	40 / 40	42.5	8.0	24	10
52105420	32 x 1,5	23 - 25,8	29	40 / 40	42.5	8.0	26	10